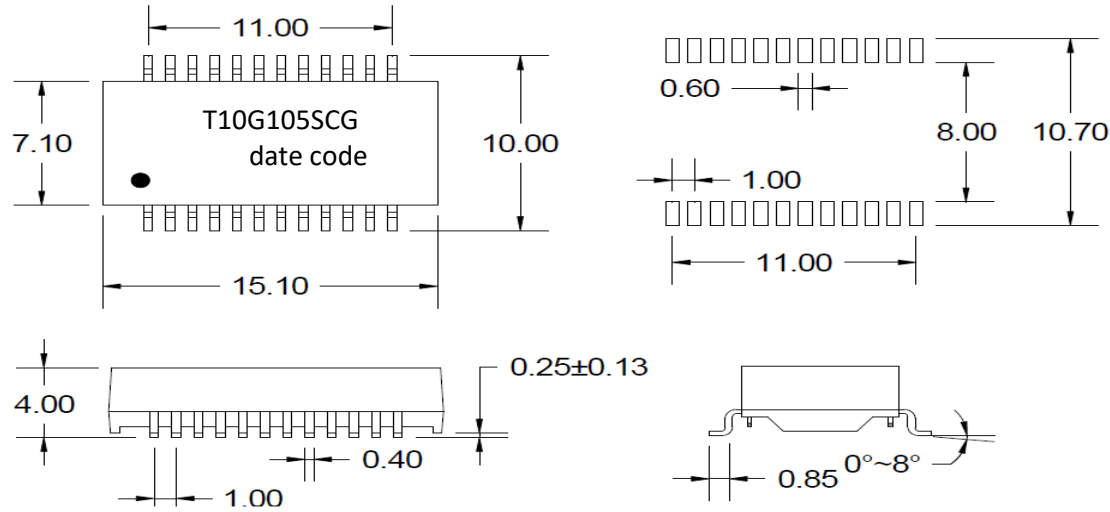


DIMENSIONS:



ELECTRICAL SPECIFICATIONS @25 °C

OCL: 150uH Min @ 100KHz, 0.1V, 11mA DC BIAS

LL: 0.5uH Max @ 100KHz, 0.1V

Cw/w: 28PF TYP @ 100KHz, 0.1V

DCR: 0.9 Ω Max

Turn Ratio: 1CT:1CT ±2%

Insertion Loss : 1-100MHz - 1.0dB Max

100-125MHz - 1.5dB Max

Return Loss : 0.3-40MHz -16dB Min

100MHz -10dB Min

50MHz -16dB Min

125MHz -6dB Min

Cross Talk: 1-100MHz -30dB Min

125MHz -25dB Min

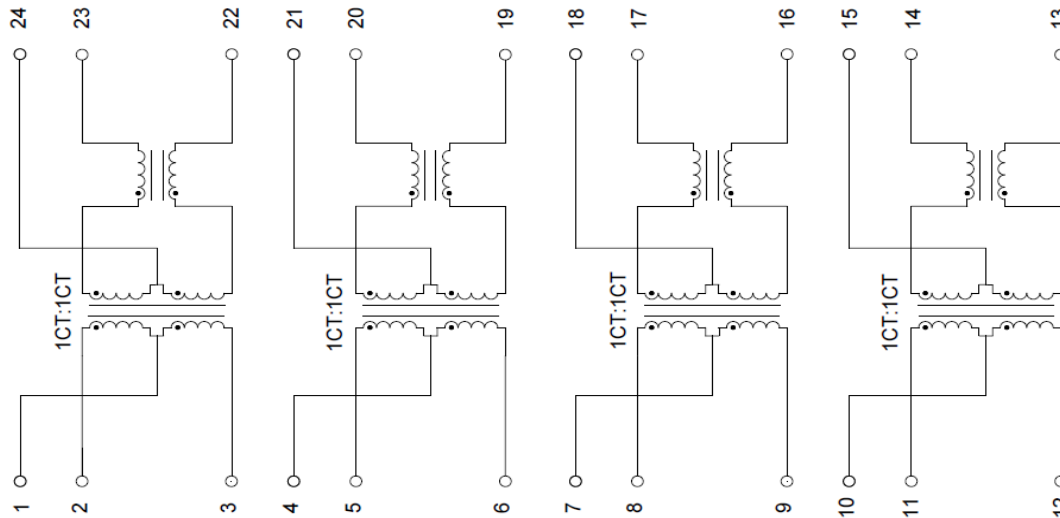
DCMR: 1-100MHz -30dB Min

125MHz -25dB Min

Isolation Hi-Pot: 1500Vrms 1Sec

OPERATING TEMPERATURE: 0 °C TO +70 °C

SCHEMATIC:



TITLE

10/100/1000 BASE-T SINGLE PORT TRANSFORMER MODULE

UNIT

MM

DWG. NO.

/

歐貝斯
OBEST INT, L LTD

Customer Specification NO.

Part NO.

T10G105SCG

NO.	DESCRIPTION	DATE	NO.	DESCRIPTION	DATE
X1					
REVISIONS					

SHEET 1 OF 1